



Cat[®] 272C

SKID STEER LOADER

FEATURES:

The Cat[®] 272C Skid Steer Loader, with its long wheel base and vertical lift design, delivers extended reach and lift height for quick and easy truck loading. Its stability and lifting performance provides excellent material handling. The 272C features the following:

- **Sealed and pressurized cab option** provides a cleaner and quieter operating environment.
- **Seat mounted adjustable joystick controls and available air ride seat** make the C-Series the industry leader in operator comfort.
- **High performance power train** provides high engine horsepower and torque. Electronic Torque Management and standard foot throttle allow the machine to be operated at part throttle for lower sound levels and fuel consumption.

- **High Flow XPS hydraulic system** is available for applications that demand maximum hydraulic work tool performance.
- **Easy routine maintenance** helps reduce machine downtime for greater productivity.
- **Caterpillar's broad range of performance matched work tools** make the Cat Skid Steer Loader the most versatile machine on the jobsite.

Specifications

Engine

Engine Model	Cat [®] C3.4 DIT	
Gross Power SAE J1995	70 kW	94 hp
Net Power SAE 1349	67 kW	90 hp
Displacement	3.3 L	201 in ³
Stroke	120 mm	4.7 in
Bore	94 mm	3.7 in

Weights

Operating Weight	3793 kg	8,362 lb
------------------	---------	----------

Power Train

Travel Speed (Forward or Reverse):		
One Speed	11.6 kph	7.2 mph
Two Speed Option	16.1 kph	10.0 mph
XDP Option Speed (with tires)	9.7 kph	6.0 mph
XDP Option Speed (with VTS tracks)	7.5 kph	4.7 mph

Hydraulic System

Hydraulic Flow – Standard:		
Loader Hydraulic Pressure	23 000 kPa	3,335 psi
Loader Hydraulic Flow	84 L/min	22 gal/min
Hydraulic Power	31.9 kW	42.8 hp
Hydraulic Flow – High Flow XPS:		
Max. Loader Hydraulic Pressure	28 000 kPa	4,061 psi
Max. Loader Hydraulic Flow	125 L/min	33 gal/min

Operating Specifications

Rated Operating Capacity	1474 kg	3,250 lb
Rated Operating Capacity with Optional Counterweight	1579 kg	3,480 lb
Tipping Load	2948 kg	6,500 lb
Breakout Force, Tilt Cylinder	3318 kg	7,315 lb

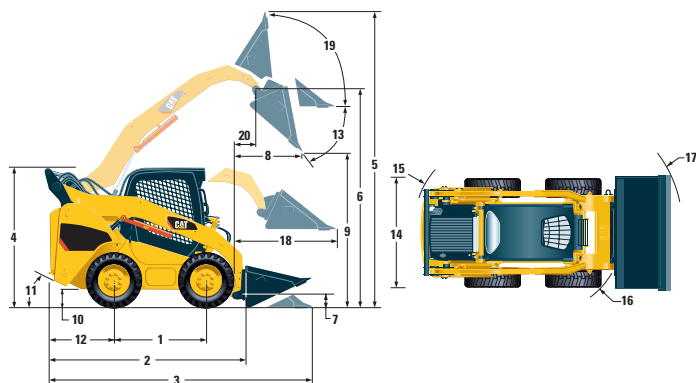
Cab

ROPS	SAE J1040 MAY94, ISO 3471:1994
FOPS	SAE J1043 SEPT87, ISO 3449:1992 Level I
FOPS Level II	SAE J231 JAN81, ISO 3449:1992 Level II

Service Refill Capacities

Chain Box, each side	11 L	2.9 gal
Cooling System	14 L	3.7 gal
Engine Crankcase	10 L	2.6 gal
Fuel Tank	98 L	26 gal
Hydraulic System	57 L	15 gal
Hydraulic Tank	42 L	11 gal

272C Skid Steer Loader



Dimensions

1 Wheelbase	1381 mm	54.4 in
2 Length w/o Bucket	3120 mm	122.8 in
3 Length w/Bucket on Ground	3833 mm	150.9 in
4 Height to Top of Cab	2104 mm	82.8 in
5 Max. Overall Height	4115 mm	162.0 in
6 Bucket Pin Height at Max. Lift	3279 mm	129.1 in
7 Bucket Pin Height at Carry Position	200 mm	7.8 in
8 Reach at Max. Lift and Dump	764 mm	30.1 in
9 Clearance at Max. Lift and Dump	2487 mm	97.9 in
10 Ground Clearance	225 mm	8.8 in
11 Departure Angle	26°	
12 Bumper Overhang Behind Rear Axle	1089 mm	42.8 in
13 Maximum Dump Angle	51°	
14 Vehicle Width over Tires	1676 mm	66.0 in
15 Turning Radius from Center – Machine Rear	1796 mm	70.7 in
16 Turning Radius from Center – Coupler	1451 mm	57.1 in
17 Turning Radius from Center – Bucket	2263 mm	89.1 in
18 Max. Reach w/Arms Parallel to Ground	1270 mm	50.0 in
19 Rack Back Angle at Max. Height	83°	
20 Bucket Pin Reach at Max. Lift	373 mm	14.7 in

MANDATORY EQUIPMENT

- Hydraulics, Standard or High Flow XPS
- Quick Coupler, Mechanical or Hydraulic
- Seat Belt, 50 mm (2 in) or 75 mm (3 in)

COMFORT PACKAGE (must select one of the following)

- Open ROPS (C1): *Cup Holder, Radio Ready, Suspension Seat, (No Heater or Door)*
- Enclosed ROPS with Heat (C2): *Cup Holder, Radio Ready, Seat (choice of Suspension or Air Ride), Heater and Defroster, Side Windows, Door (either Glass or Polycarbonate)*
- Enclosed ROPS with A/C (C3): *C2 + Air Conditioner*

PERFORMANCE PACKAGE (must select one of the following)

- Performance Package 1: *One Speed*
- Performance Package 2: *One Speed, Self Level*
- Performance Package 3: *Two Speed, Self Level*
- Performance Package 4: *Two Speed, Self Level, Ride Control, Advanced Machine Information and Control System (AMICS)*

STANDARD EQUIPMENT

ELECTRICAL

- 12 volt Electrical System
- 90 ampere Alternator
- Ignition Key Start/Stop Switch
- Lights: *Gauge Backlighting, Two Rear Tail Lights, Two Rear Working Lights, Two Adjustable Front Halogen Lights, Dome Light*
- Backup Alarm
- Heavy Duty Battery, 850 CCA

OPERATOR ENVIRONMENT

- Gauges: *Fuel Level, Hour Meter*
- Operator Warning System Indicators: *Air Filter Restriction, Alternator Output, Armrest Raised/Operator Out of Seat, Engine Coolant Temperature, Engine Oil Pressure, Glow Plug Activation, Hydraulic Filter Restriction, Hydraulic Oil Temperature, Park Brake Engages*
- Vinyl Seat
- Fold in Ergonomic Contoured Armrest
- Control Interlock System, when operator leaves seat or armrest raised: *Hydraulic System Disables, Hydrostatic Transmission Disables, Parking Brake Engages*
- ROPS Cab, Open, Tilt Up
- FOPS, Level I
- Top and Rear Windows
- Headliner, Deluxe
- Floor Mat
- Interior Rear View Mirror
- 12 volt Electric Socket
- Horn

POWER TRAIN

- Cat® C3.4 DIT Tier 3 Compliant Diesel Engine
- Air Cleaner, Dual Element, Radial Seal
- S-O-S™ Sampling Valves, Engine Oil and Hydraulic Oil
- Filters, Spin-on, Hydraulic
- Filters, Bayonet-type, Fuel and Water Separator
- Tilt Up Radiator/Hydraulic Oil Cooler
- Spring Applied, Hydraulically Released, Wet Multi Disc Parking Brakes
- Hydrostatic Transmission
- Four Wheel Chain Drive

OTHER

- Engine Enclosure, Lockable
- Extended Life Antifreeze, -37° C (-34° F)
- Machine Tie Down Points (4)
- Support, Lift Arm
- Hydraulic Oil Level Sight Gauge
- Radiator Coolant Level Sight Gauge
- Radiator, Expansion Bottle
- Caterpillar ToughGuard™ Hose
- Auxiliary, Hydraulics, Continuous Flow
- Heavy Duty, Flat Faced Quick Disconnects
- Split D-Ring to Route Work Tool Hoses Along Side of Left Lift Arm
- Electrical Outlet, Beacon
- Belly Pan Cleanout

OPTIONAL ATTACHMENTS

- Counterweight
- Beacon, Rotating
- Engine Block Heater – 120V or 240V
- Oil, Hydraulic, Cold Operation
- Paint, Custom
- Extreme Duty Power Train (XDP)

For more complete information on Cat products, dealer services, and industry solutions, visit us on the web at www.cat.com

AEHQ5861-01 (5-08)

© 2008 Caterpillar
All Rights Reserved
Printed in U.S.A.

Materials and specifications are subject to change without notice. Featured machines in photos may include additional equipment. See your Caterpillar dealer for available options.

CAT, CATERPILLAR, their respective logos, "Caterpillar Yellow" and the POWER EDGE trade dress, as well as corporate and product identity used herein, are trademarks of Caterpillar and may not be used without permission.

CATERPILLAR®